

All rights reserved

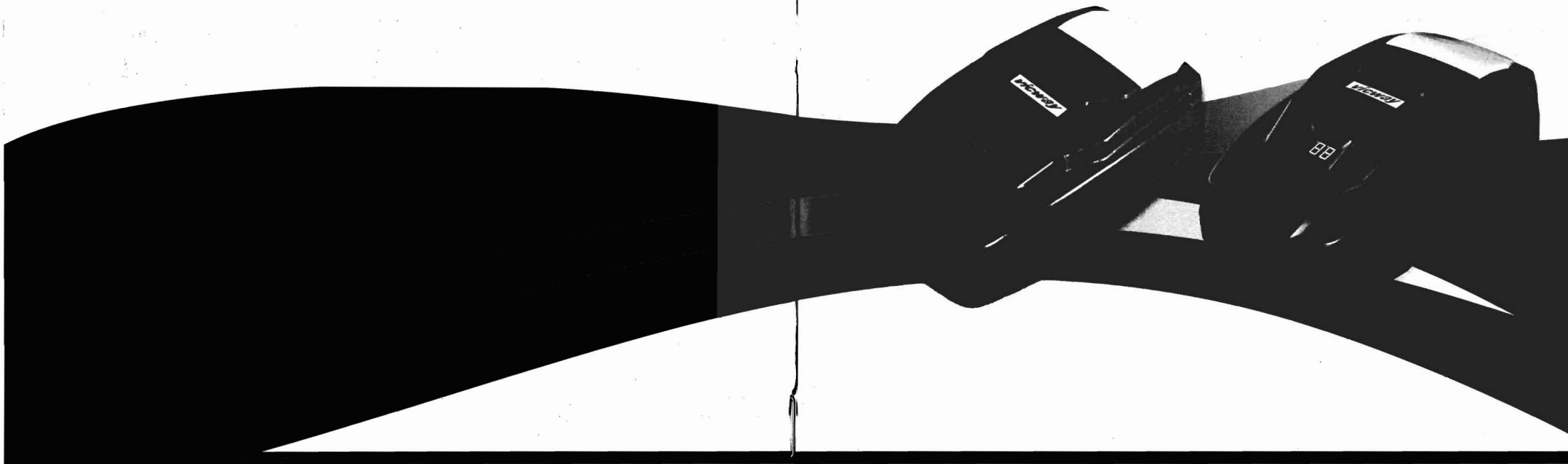
vicway

GARAGE DOOR OPENER

Installation Manual and Owner's Guide

CE RoHS

N27868



V&S Roller Doors Pty Ltd

20 Earl Street AIRPORT WEST VIC 3042

TEL: (03) 93386698

V-380G/V-390G

PLEASE READ THE MANUAL CAREFULLY BEFORE INSTALLATION AND OPERATION

Contents

A. Inventory	3
B. Function Introduction	4
C. Assembly Procedure.....	5
D. The Main Body and Program Panel	9
E. Wiring Diagram for Infra-Red Beam.....	10
F. Programming	11
G. Programming of Transmitters	18
H. Technical Specifications	19
I. End User's Guide	20
J. Assembly of the Rail in 2 Parts	22
K. Annex:Wiring Drawing	24

IMPORTANT SAFETY INSTRUCTIONS



WARNING-IT IS VITAL FOR THE SAFETY OF PERSON TO FOLLOW ALL INSTRUCTIONS SAVE THESE INSTRUCTIONS

- ◇ Do not allow children to play with controls;
- ◇ Keep remote controls away from children;
- ◇ Watch the moving door and keep people away until the door is completely open or closed;
- ◇ Frequently examine the installation, in particular cables, springs and mountings, for signs of wear, damage or imbalance. Do not use if repair or adjustment is needed since a fault in the installation or an incorrectly balanced door may cause injury.

A. Inventory The garage door opener is packaged in two cartons which contain the opener pack and the rail assembly pack illustrated below.

Opener Pack

Appearance	Name	QTY
	Opener	1
	Manual	1
	Transmitter	2
	Wireless Wall Control	1
	Curved Door Arm	1
	Mounting Strap	2
	Support Bracket	1
	Support angle	1
	"U" Bracket	3
	Header Bracket	1
	Door Bracket	1
Pack of Assorted Fasteners		
6x15 Hexagon Head Driving Screw (8x) 6x80 Screw with Hexagon Nut (1x)		
8x25 Inserted Pin (1x) 3x20 Cotter Pin (1x) Plum Offset Ring (1x)		
8x20 Screw with Hexagon Nut (6x)		

Rail Pack

Rail (1x)	Straight Door Arm (1x)
Chain/Belt (1x)	Emergency Cord (1x)
Trolley (1x)	

B. Function Introduction

Intelligent Computerized Control	— Intelligent computerized precise travel positioning; timely force detection, reversion occurs when obstacles are met.
Motor	— Low noise, soft start, slow stop protect the motor and ensure a long service time.
Self Diagnosis	— Operational Mode and digital menu is displayed on the control panel and is self-monitoring. L = Normal, F = Interrupted, H = Fail in reading A = Infrared Ray State.
Cryptoguard	— Rolling code technology provides billions of code combinations and makes every remote control a unique one that protects against unauthorized access.
Alarm Device	— The alarm will sound if the door is left open for over 10 minutes. The alarm stops when the door is closed again. (Refer to F-7 on P.14)
Emergency Release	— The door can be manually operated by pulling down on the emergency release rope in case of power failure. (Refer to C-4 on P.8)
Additional Safety Device	— Safety further ensured with additional accessory photocells. (Refer to E on P.10).
Automatic closing door	— The automatic closing time of the door can be set from 30 seconds to 240 seconds. (Refer to F-8 on P.14)
2000 cycles alarm	— When the operator has run 2000 cycles, it will beep to remind the user to maintain the mechanical system. (Refer to F-9 on P.16)

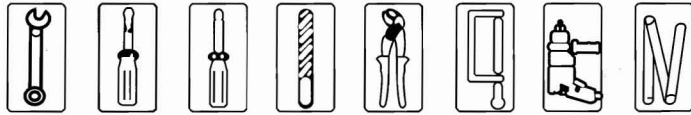
C. Assembly Procedure



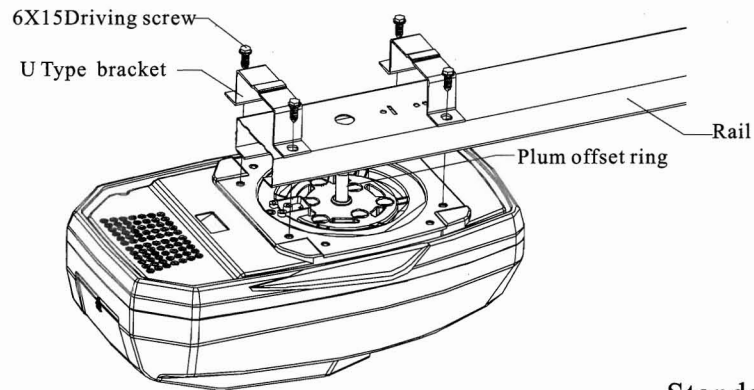
IMPORTANT SAFETY INSTRUCTIONS FOR INSTALLATION
WARNING-INCORRECT INSTALLATION CAN LEAD TO SEVERE INJURY
FOLLOW ALL INSTALLATION INSTRUCTIONS

- ◇ Before installing the drive, remove all unnecessary ropes or packing and disable any equipment which is not needed after installation of the drive;
- ◇ Before installing the drive, check that the door is in good mechanical condition and correctly balanced, and that it opens and closes properly;
- ◇ Install the actuating member for the manual release at height less than 1.8m;
- ◇ Install any fixed control within sight of the door but away from moving parts and at a height of at least 1.5m;
- ◇ Permanently fix the labels warning against entrapment in a prominent place or near any fixed controls;
- ◇ Permanently fix the label concerning the manual release adjacent to its actuating member;
- ◇ After installation, ensure that the mechanism is properly adjusted and that the drive reverses when the door contacts a 40mm high object placed on the floor
- ◇ After installation, ensure that the parts of the door do not extend over public footpaths or roads; after installation, ensure that the drive prevents or stops the opening movement when the door is laded with a mass of 20kg, fixed centrally on the bottom edge of the door (for drives that can be used with doors having openings larger than 50mm in diameter)
- ◇ Install the drive at height no less than 2.5m.

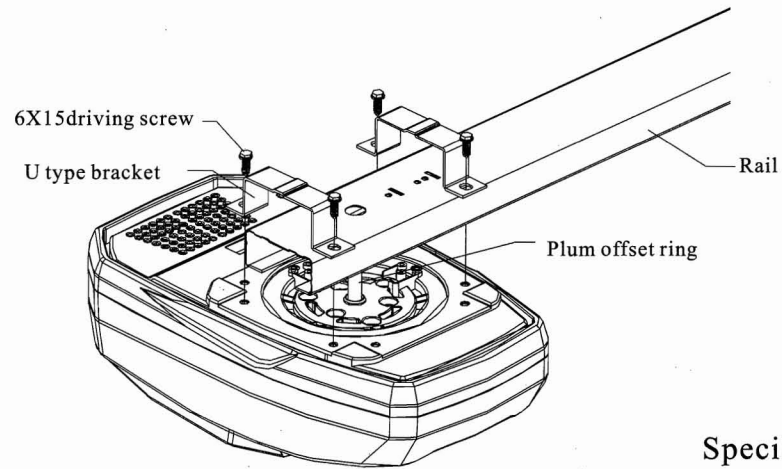
C-1 Essential Tools



C-2 Connecting The Body With The Rail



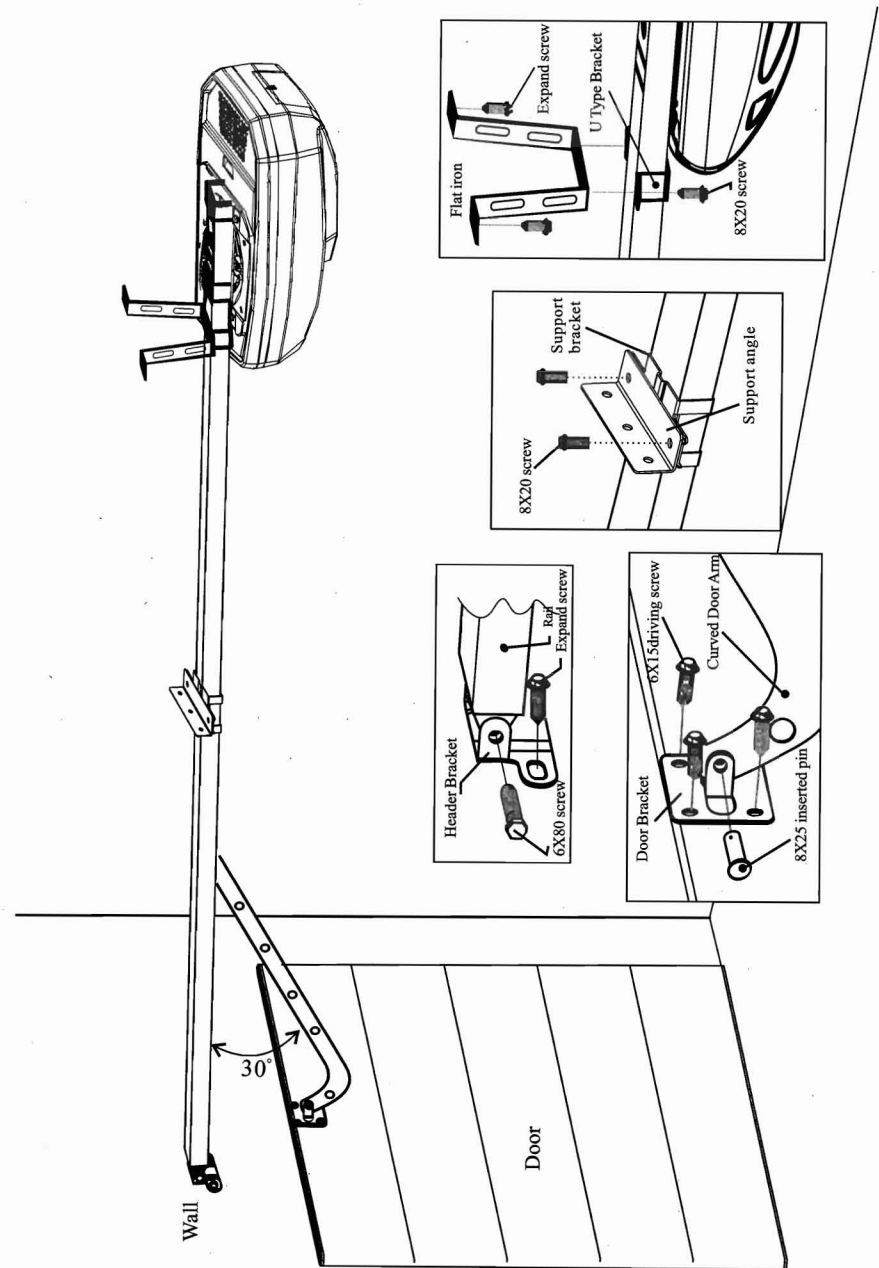
Standard



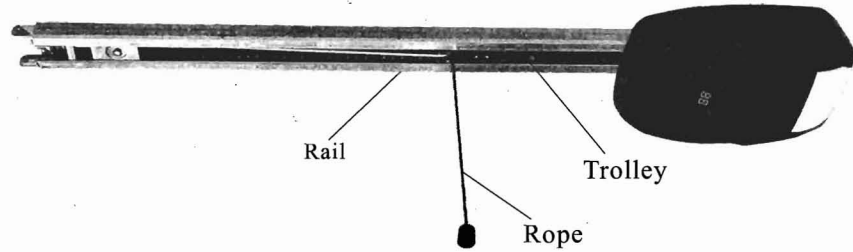
Special

(The special one with a micro switch should be mounted referring to the figure)

C-3 How To Fix The Body And The Rail

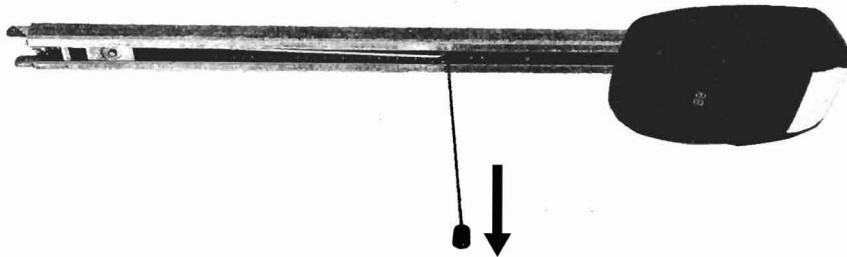


C-4. How To Open The Door Manually



In the case of power failure-

- (1). When the door is in the closed position:
Pull down on the rope and dis-engage the clutch, this will allow the door to be lifted with ease.
- (2). When the door is in the open position:
Pull down on the rope once, this will allow the door to move downward to the closed position.

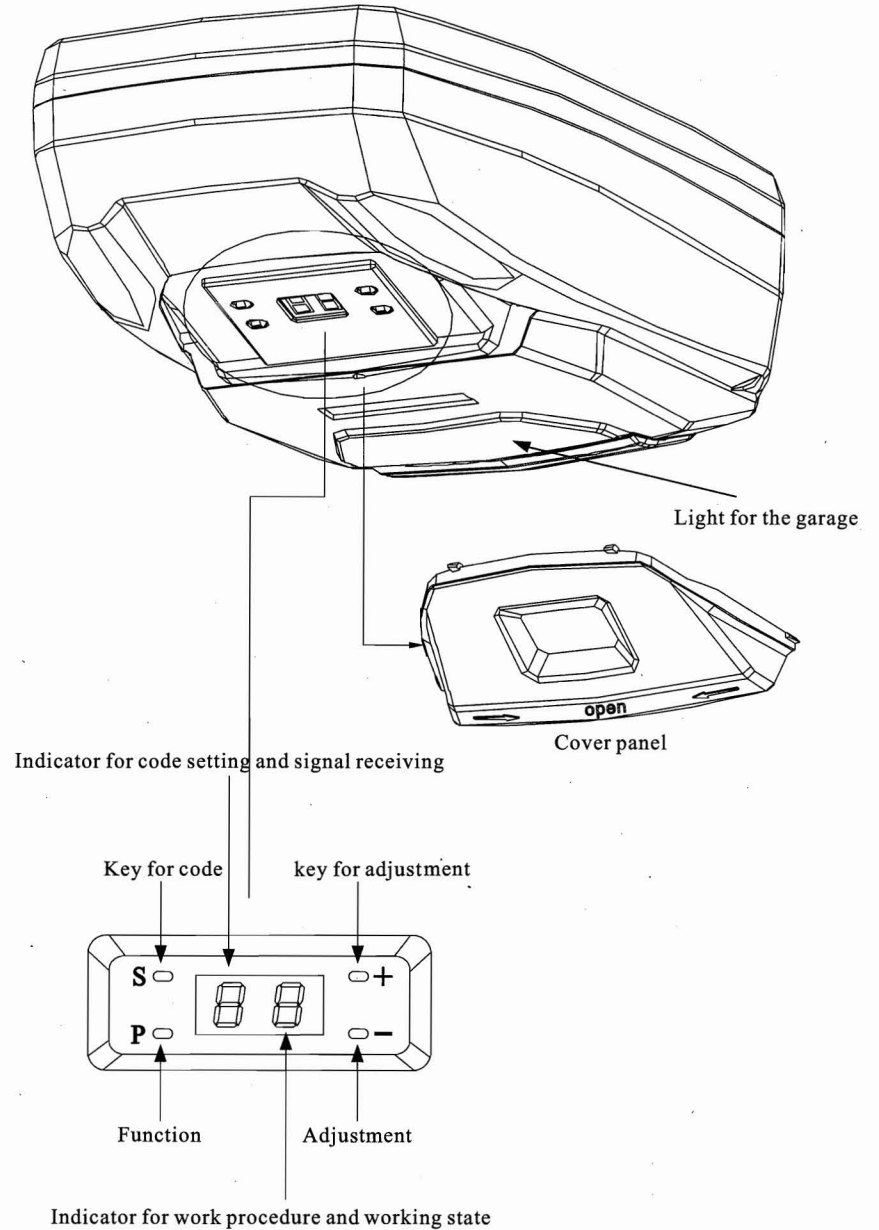


If power recovers-

Operate the handheld transmitter or the wall control again, the clutch will be re-engaged automatically.

⚠ (NB: If the rail is 1-section type, the system features the self-lock function but 2-sections does not.)

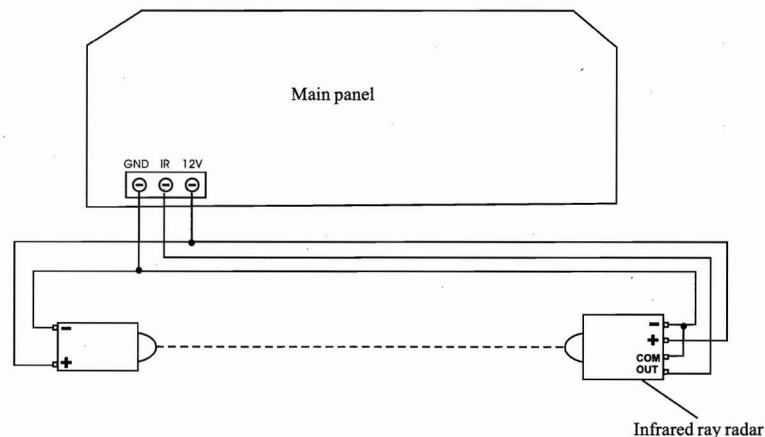
D. The Main Body and Program Panel



E. Wiring Diagram For Infrared Beam

E-1 Infrared Ray Emitting And Receiving (Optional Accessories)

a. Connections as follows



Wiring diagram

⚠ If your opener is installed without photocell, you must connect terminals IR to GND with a short cable, otherwise the opener will not be power operated (these 2 terminals have been connected at factory).

⚠ If your opener is installed with photocell, please remove the short cable connecting between IR and GND, otherwise the photocell can not work.

b. Specification

Detecting way	Max distance	Volt	Current	Output way
Emitting and receiving	12m	12-24V	150 mA	NO/NC

E-2 Infrared Ray Instruction

When the door is closing and the infrared ray beam is interrupted, the infrared ray works and the door will stop immediately. But when the door is opening, it does not work.

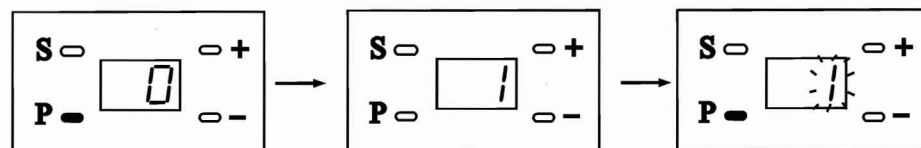
F. Programming

F-1 Prepare — a. Gently move the door to engage the trolley so that the opener can drive the door

b. Turn on the power, the light will come on, the unit will 'beep' once and the display shows "0" in cycles.

⚠ (If the finalize programming is not carried out, the setting will be deleted automatically. If wrong information has been programmed, you can turn the power off and then turn it on again to reset referring to the following.)

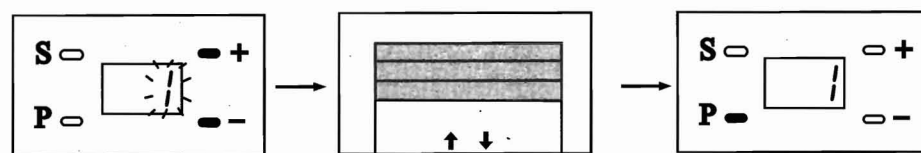
F-2 Up Limit Setting



Press key "p"
(about 5 seconds)

The unit beeps once
and shows "1"

Press "p", "1" flashes



Press "+"

Door up

Or press "-"

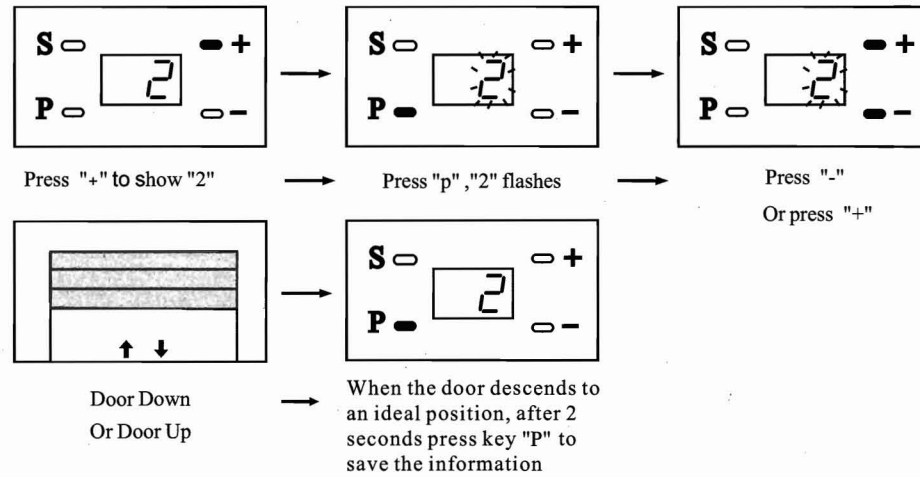
Door down

when the door rises to an ideal
position, press key "P" to save
the Information.

⚠ (NB: The saved information has no effect if this performance is used for down limit setting)

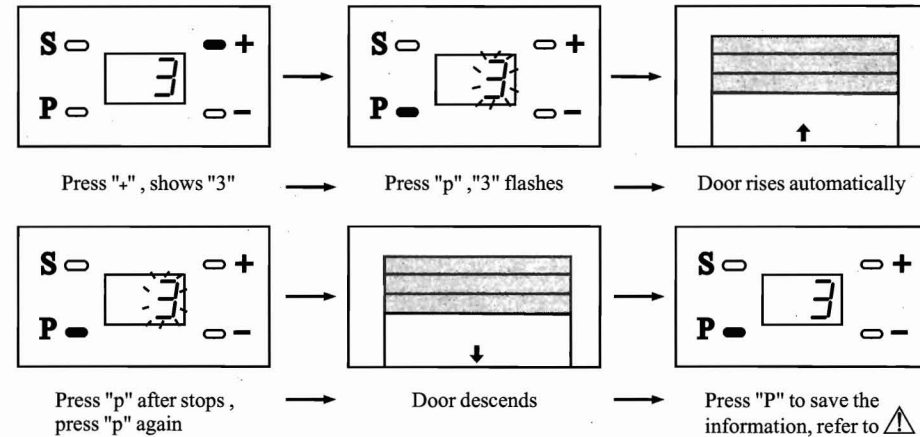
⚠ The up limit setting must be programmed before the down limit setting

F-3 Down Limit Setting



⚠ (NB: The saved information has no effect if this performance is used for up limit setting)

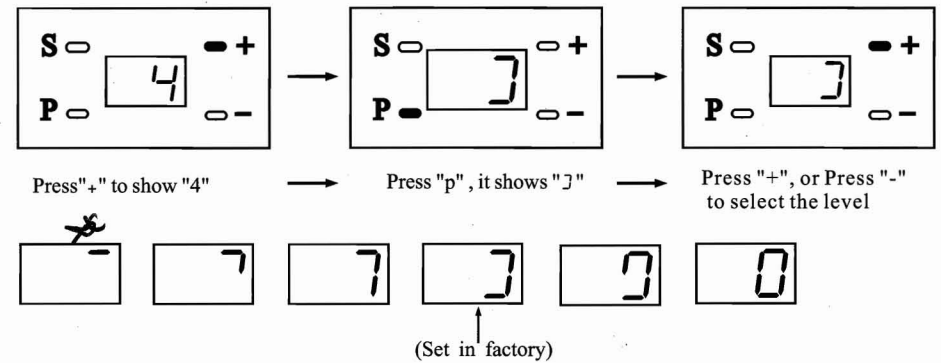
F-4 Operating Force Learning



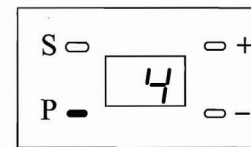
⚠ (After the above basic setting, the user can now carry out the finalizing step to finalize the programming)

F-5 Force Level Setting

⚠ The unit has been factory set at level 4, resetting by end users is not required.



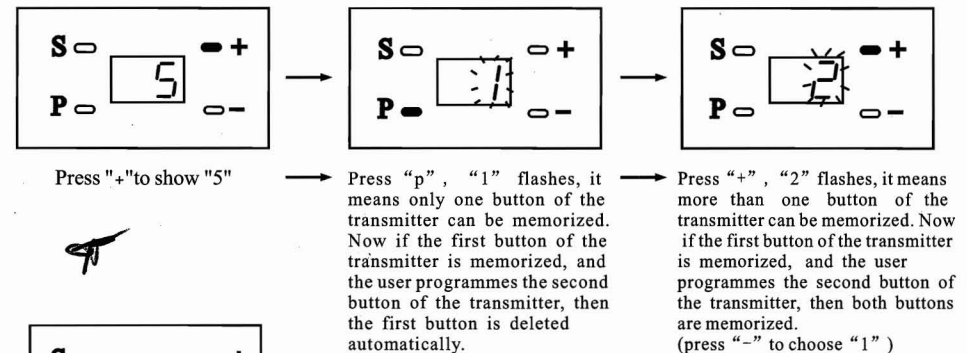
Low Force level High



⚠ (If the force level is set too low, the door moving will be affected when the mechanical structure of the door is not well-balanced.)

Press "p" to save the setting

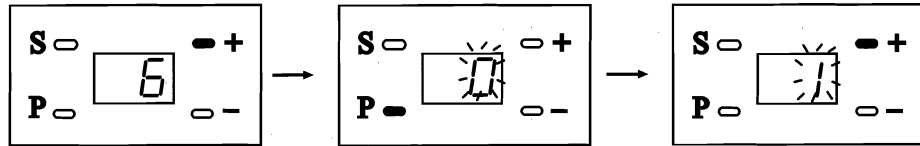
F-6 Transmitter Control Button Setting (default:2)



Press key "p" to show "5", save the setting.

F-7 Alarm Setting

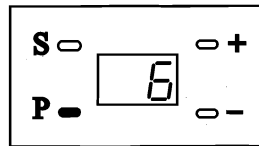
(The factory set at "off" position)



Press "+" to show "6"

Press "P", it shows 0, it means the alarm setting is off

Press "+", it shows 1, it means the alarm setting is on.



Press "P" again to save the setting

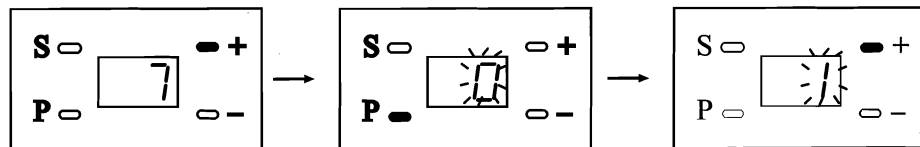
⚠ If the setting is on, the motor will start to beep when the door is open for over 10 minutes, it will beep for 30 seconds every 10 minutes)

⚠ Exit way for the sounding alarm

Press the door Control button to close the door fully.

F-8 Automatic Closing Time Setting

(The factory set at "off" position)

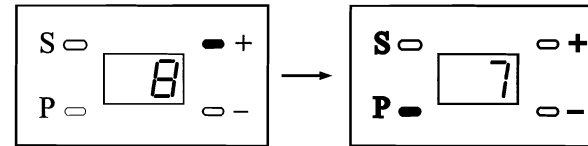
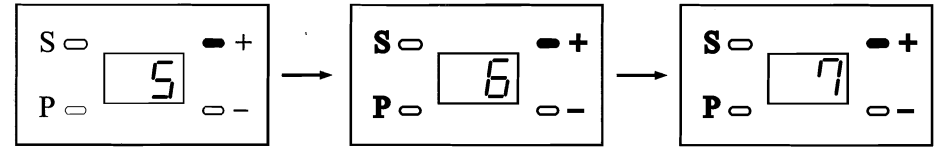
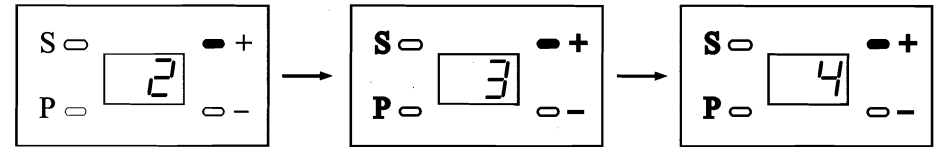


Press "+", shows "7"

Press "P" to show "0", it means the function is off

Press "+" to show "1" to turn on the function, it also means the auto closing time is 30 seconds

Press "+", "-" to choose the time according to the following drawings, 8 means 240 seconds (Maximent), 7 means 210 seconds etc.

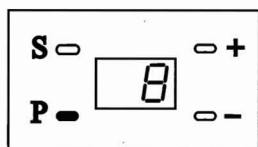
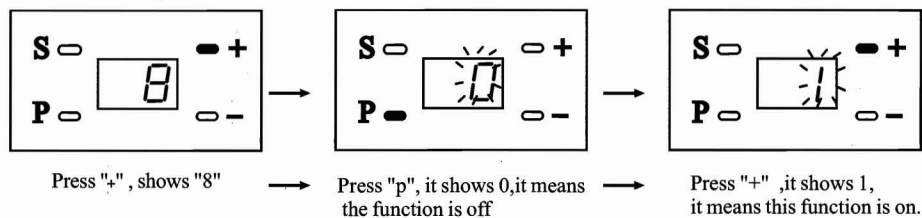


Press key "P" to show "7" and exit the program according to the manual after choosing the time of automatic closing the door.

⚠ The motor beeps for 20 seconds before the door starts to close automatically, at the same time the light flashes. When the door starts to close, the motor beeps, the light keeps on but stops flashing. After the door is closed, the motor stops beeping, and the light keeps on for 3 minutes.

F-9 2000 Cycles Alarm Setting

(The factory set at "off" position)



Press "p" to save the setting

⚠ After a period of time in use, regularly check to see whether the door is level when opening/closing, whether the spring has enough force to raise the door. Add suitable amount of lubricant to all moving parts regularly.

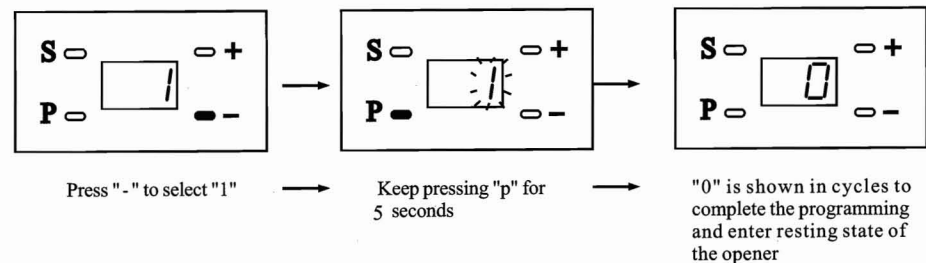
⚠ Exit way for the sounding alarm: turn off the power then switch on again Or press the door control button for 5 seconds

F-10 Finalize Programming

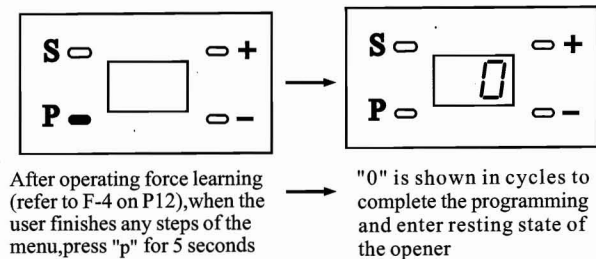
⚠ (NB: this finalizing step must be carried out, otherwise the saved information will be lost)

The user has two ways to exit finalize programming as follows:

Way 1:

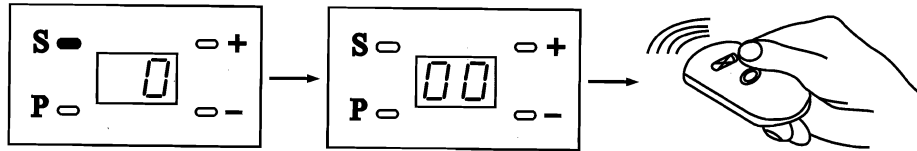


Way 2:



G. Programming of Transmitters

G-1 Code



Press "s"

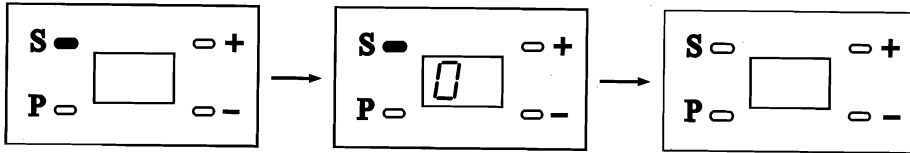
"0" will be seen on the left side of the display, and disappears immediately.

Press any key twice, coding is completed.

⚠ Note: The unit can memorize maximum 40 transmitters.

⚠ At this time, the code has been successfully set if the opener works. Other transmitters can be set as above.

G-2 Decode



Press & hold "s" for 8 seconds

"0" will be shown on the left side of the display.

Keep pressing the key until "0" has disappeared.

By now, no transmitters can operate the opener unless re-coded.

⚠ NB: For security purpose if a transmitter has been lost it must be decoded and the new transmitter encoded as above, so that the lost one can not operate the door anymore.

H. Technical Specification

H-1 Model and Recommended Usage

Model	Voltage(v)	Area of the door(m ²)	Surrounding difference in temperature(°C)
V-380G	190-240	≤ 15	-20—50
V-390G	190-240	≤ 19	-20—50

H-2 Guide Rail and Available Sizes

Model	Total length	Travel of the rail	Height of the door in rising
LK/PK-3000	3020mm	2500mm	<2200mm
LK/PK-3300	3320mm	2800mm	<2500mm
LK/PK-3600	3620mm	3100mm	<2800mm
LK/PK-3800	3820mm	3300mm	<3000mm

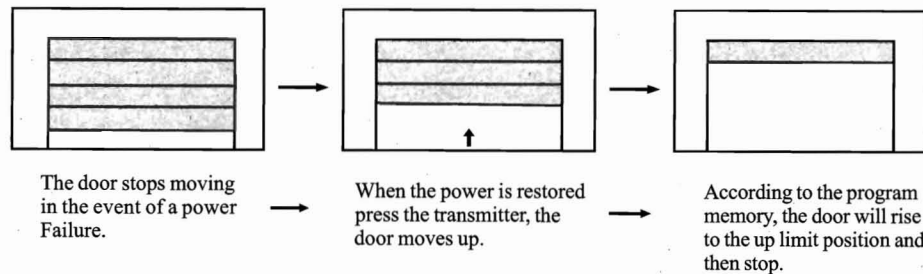
H-3 Specification List

Power	150W / V-380G; 200W / V-390G
Standby mode	with the light off, 8W / V-380G/ V-390G
Pulling force	1100N / V-380G; 1500N / V-390G
Controller	CPU
Controlling method	Impulse inducting
Motor	24V.DC.
Light	25W, E14, V-380G/ V-390G
Speed of the door	11cm/second
Fuse model	Power fuse 1: 2.5A; Light fuse 2: 2.5A
Transmitter frequency and distance	433 MHz/open space 50m
Drive	Chain
Protecting method	Keep in dry room

I. End User's Guide

I-1 Care Of The Opener

- V-380G / V-390G type opener is an environmentally friendly product generally requiring a minimum of maintenance in normal use.
- For the first operation, please examine the drive system to see whether it moves easily (Release the clutch, push and pull the door manually)
- After a period of time in use, regularly check to see whether the door is level when opening/closing, whether the spring has enough force to raise the door. Regularly lubricate all the moving parts.
- In the event of power failure the operator can search for the program memory. When the power is restored, press the button of the transmitter once, the door will rise.



I-2 Normal Operation

- Remote Control — Opening, closing or stopping can be achieved by the push of a single button on the transmitter.
- Manual operation — In the event of power failure, opening or closing of the door can be done by hand once the clutch is released. (Please refer to P.8)

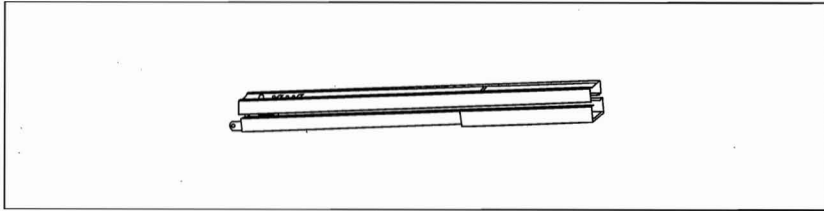
I-3 Trouble Shooting

Fault	Causes	Deal With
The opener does not work	1.The plug is not securely fitted 2.The fuse is blown	1.Check by a technician 2.Replace the same type of fuse by a technician
The door does not work	1.No code has been set 2.The battery is out of power	1.Re-code referring to G-1 on P.18 2.Replace with new battery
Remote control distance is too short	The battery is not powerful enough	Replace with a new one of the same model
The chain moves, but the door does not	The clutch may be unlocked	Lock the clutch referring to C-4 on P.8
The alarm keeps beeping	1.Door is open too long 2. 2000 cycles alarm	1.Close the door 2.Turn off the power, then recover again
The door is not at the position when opened or closed, or not working	Failure in set-up	Set again referring to F on P.11
The door does not work in normal, and "H" is shown on the screen	Computer failure due to humidity	Dry out the unit (by a technician)
Sudden stop or bounce in working, and "F" is shown on screen	1.The torque spring is distorted 2.Obstruction is met 3. The power is not stable	1. Adjust the torque spring by a technician. 2. Adjust the resistance to a proper level until "F" disappears
In working, a grating sound can be heard	Lack of lubricant between the rail and the clutch after a long period of use	Add suitable amount of lubricant or wax to the position between the rail and the clutch
The chain has come loose and is noisy	Looseness of the chain because of being used for a long time without lubricant between the rail and the clutch	Suitably fasten the bolt on the spring, holding the chain in place and lubricate it (Refer to ④ on P23)

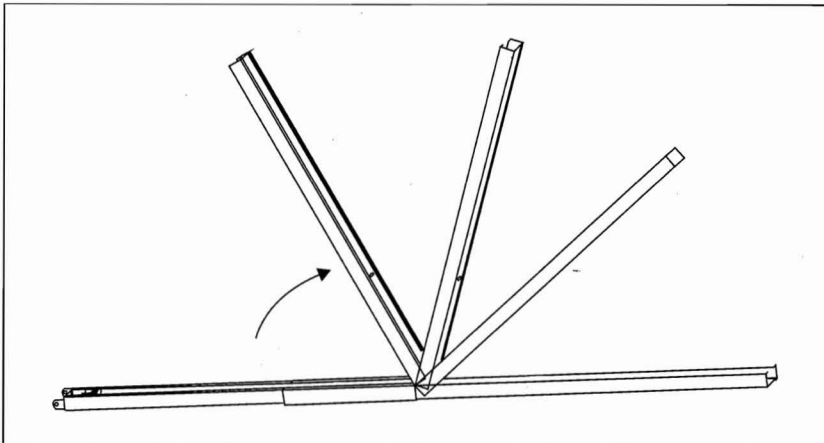
⚠ NB: To avoid being electrocuted, only a professional technician is allowed to touch the wires and components on the main panel.

J. Assembly of the Rail in 2 Parts

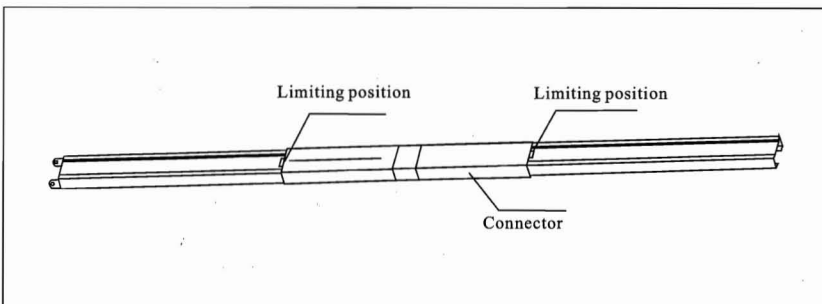
- ① **Open the rail assembly pack**



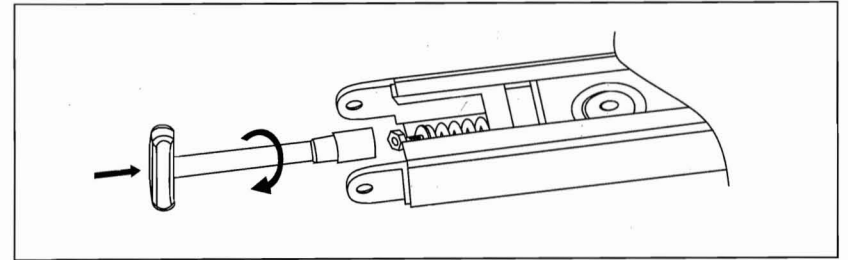
- ② **Unfold the rail in the direction of the arrow**



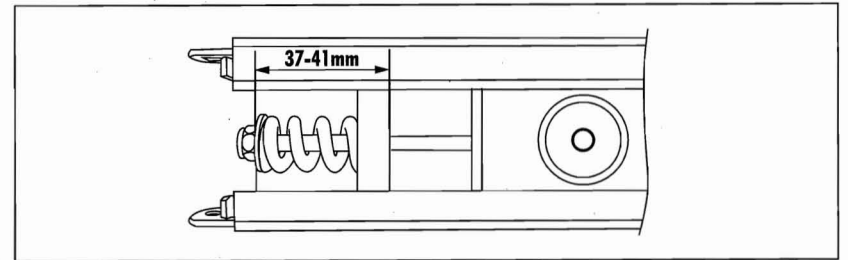
- ③ **Move the connector to the middle of the rail and between the position limits**



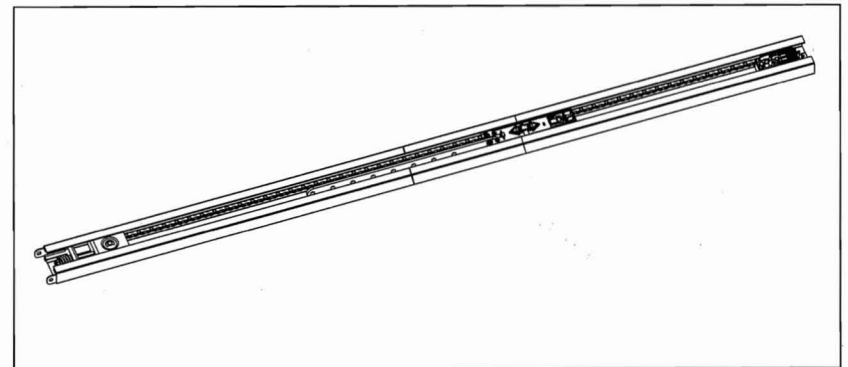
- ④ **Tighten the nut with a sleeve of $\phi 13$**



- ⑤ **Adjust as the drawing shows**

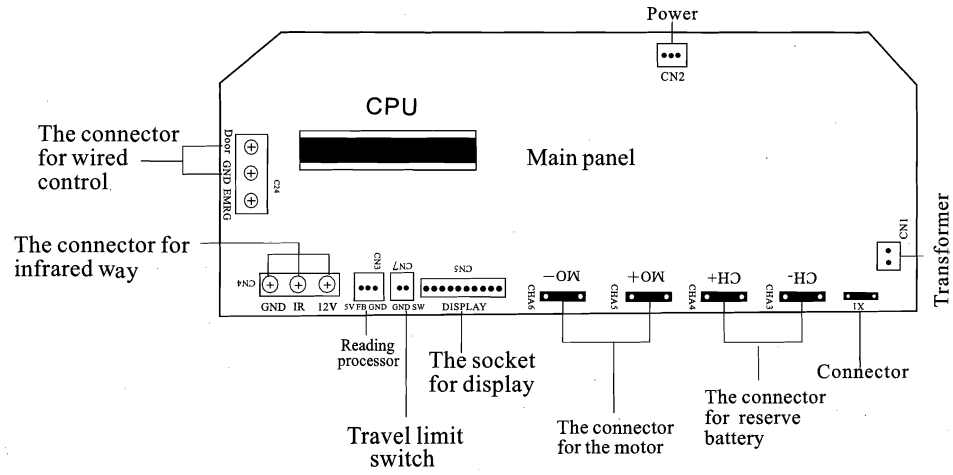


- ⑥ **Finished**



K. Annex : wiring drawing

V-380G:



V-390G:

